

KOMATSU 730E HAUL TRUCK



4 HYD-SP140
2" Round
40° Flood
Work Light

1 x Above Operator Cabin Shining on Deck
1 x Top of Ladder Shining Down Ladder
1 x Upper Outer Railing Shining Down
on Ladder



1 HYD-SP520
6" Square
40° Flood
Work Light

2 x Lower Factory High Beam
2 x Upper Factory High Beam
2 x Front Outer Railing Lights
2 x Factory Reverse Lights



2 HYD-SP540
6" Square
20° Wide
Work Light

2 x Lower Factory Low Beam
2 x Upper Factory Low Beam

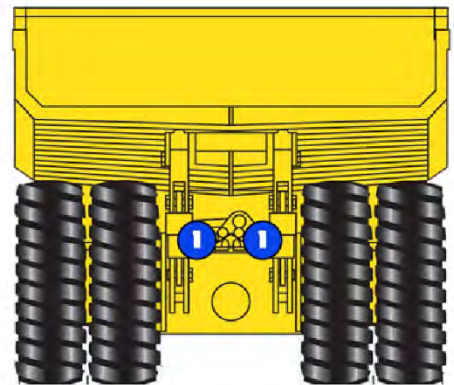
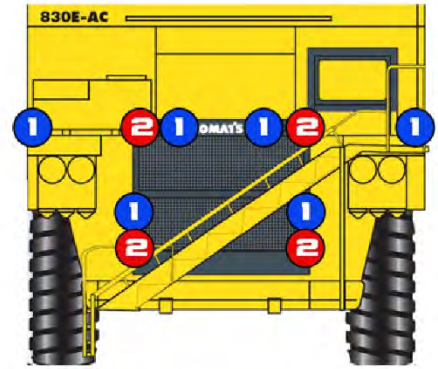
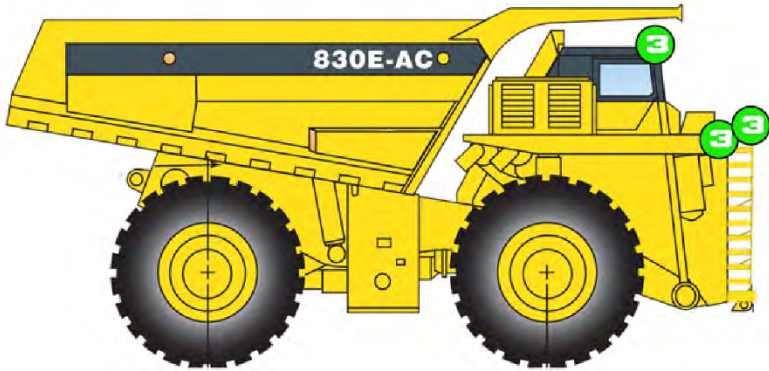


3 HYD-RXP12e3065TA
4.5" x 7" Square
30° x 65° Elliptical
Amber Work Light

2 x Lower Factory Fog Location

Lift smarter, work safer

KOMATSU 830E HAUL TRUCK



1



HYD-SP520

4" SQUARE
SOLSTICE PRIME
40 DEGREE WIDE BEAM
2 x Lower Factory High Beam,
2 x Upper Factory High Beam
2 x Front Outer Railing
Berm Lights
2 x Factory Reverse Lights

2



HYD-SP540

4" SQUARE
SOLSTICE PRIME
20 DEGREE LOW BEAM
2 x Lower Factory Low Beam
2 x Upper Factory Low Beam

3



HYD-SP140

2" ROUND
SOLSTICE PRIME
40 DEGREE WIDE BEAM
1 x Above operator cabin
shining on deck
1 x Top of ladder shining
down ladder
1 x Upper outer railing Shining
down on ladder

Lift smarter, work safer

KOMATSU 860E HAUL TRUCK



4 HYD-SP140
2" Round
40° Flood
Work Light

1 x Abover Operator Cabin Shining on Deck
1 x Top of Ladder Shining Down Ladder
1 x Upper Outer Railing Shining Down on Ladder



1 HYD-SP520
6" Square
40° Flood
Work Light

2 x Lower Factory High Beam
2 x Upper Factory High Beam
2 x Front Outer Railing Lights
2 x Factory Reverse Lights



2 HYD-SP540
6" Square
20° Wide
Work Light

2 x Lower Factory Low Beam
2 x Upper Factory Low Beam

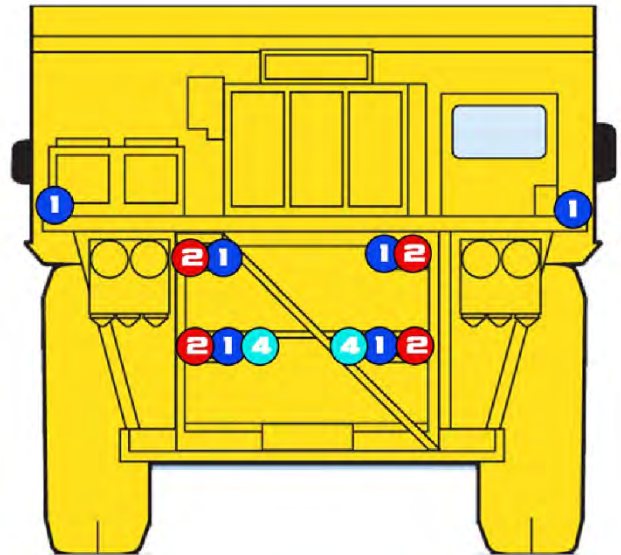
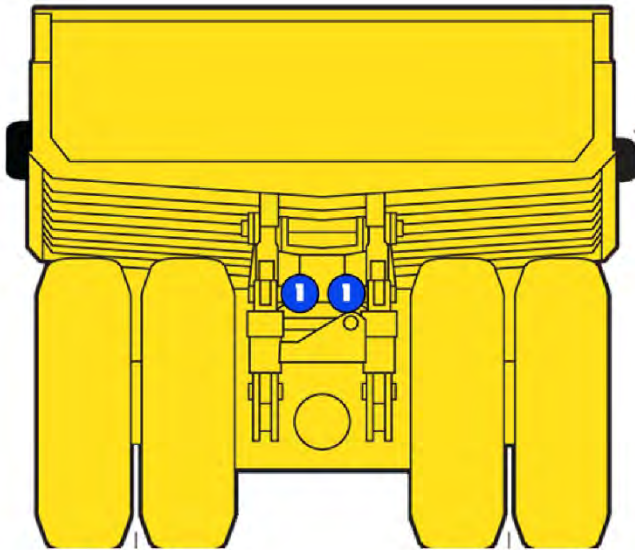


3 HYD-RXP12e3065TA
4.5" x 7" Square
30° x 65° Elliptical
Amber Work Light

2 x Lower Factory Fog Location

Lift smarter, work safer

KOMATSU 930E HAUL TRUCK



1



HYD-SP520
 4" SQUARE
 SOLSTICE PRIME
 40 DEGREE WIDE BEAM
 2 x Lower Factory High Beam,
 2 x Upper Factory High Beam
 2 x Front Outer Railing
 Berm Lights
 2 x Factory Reverse Lights

2



HYD-SP540
 4" SQUARE
 SOLSTICE PRIME
 20 DEGREE LOW BEAM
 2 x Lower Factory Low Beam
 2 x Upper Factory Low Beam

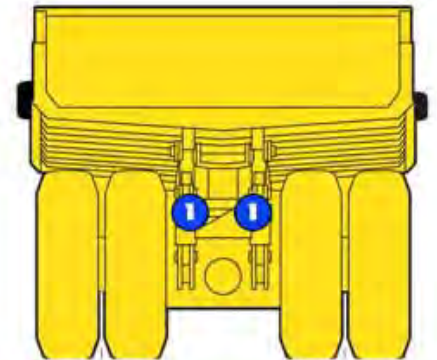
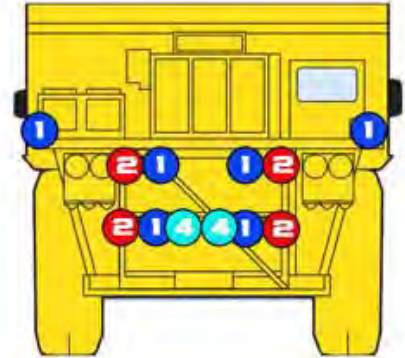
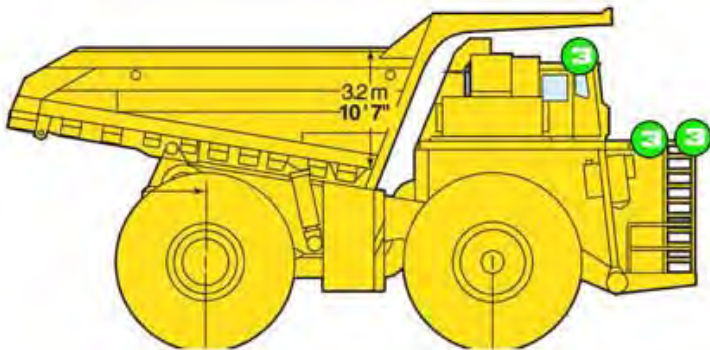
4



HYD-RXP12e3065TA
 4" FOG
 RIPPER EXTREME
 ELLIPTICAL AMBER BEAM
 2 X Lower factory fog location

Lift smarter, work safer

KOMATSU 960E HAUL TRUCK



Lift smarter, work safer



KOMATSU HD1500 HAUL TRUCK



1 HYD-UMX4460
4.5" Square
60° Flood
Work Light

2 x Upper Front Facing (Inside Light Hole)
2 x Lower Front Facing (Inside Light Hole)
2 x Rear Facing



2 HYD-UMX44E3065
4.5" Square
30° x 65° Elliptical
Work Light

2 x Upper Front Facing (Outside Light Hole)
2 x Lower Front Facing (Outside Light Hole)

Lift smarter, work safer

6060 – 86th Avenue S.E. Calgary, Alberta, Canada T2C 4L7 T:(403) 720 7740 F:(403) 720 7758 W: www.hydra-tech.net



KOMATSU HD465 HAUL TRUCK



1 HYD-UMX44E3065

4" Square
30 Degree x 65 Degree
Elliptical Low Beam
2x Front Facing (Factory Light Location)



2 HYD-UMX4460

4" Square
60 Degree
Flood Beam
2x Front Facing (Factory Light Location)
2x 45 Degree incrossing beams (Rear)

Lift smarter, work safer



KOMATSU HD605 HAUL TRUCK



1 HYD-UMX4460
4.5" Square
60° Flood
Work Light

2 x Front Facing (Inside Light Hole)
2 x Rear Facing



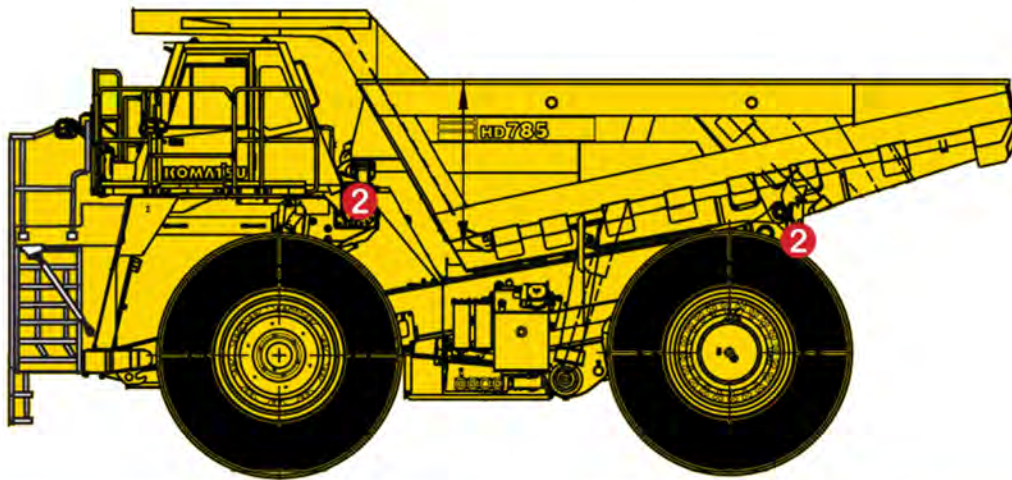
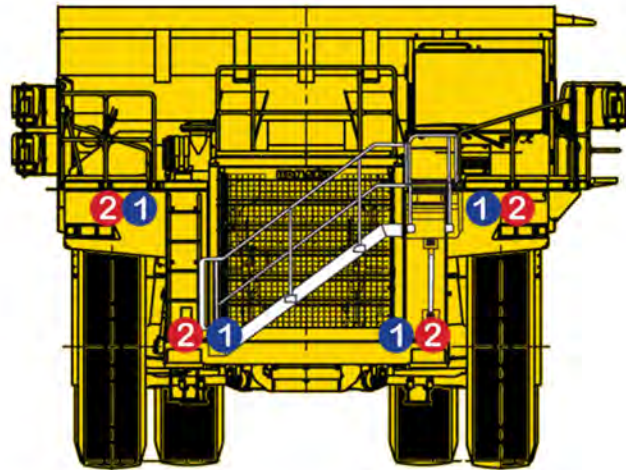
2 HYD-UMX44E3065
4.5" Square
30° x 65° Elliptical
Work Light

2 x Front Facing (Outside Light Hole)

Lift smarter, work safer

6060 – 86th Avenue S.E. Calgary, Alberta, Canada T2C 4L7 T:(403) 720 7740 F:(403) 720 7758 W: www.hydra-tech.net

KOMATSU HD785 HAUL TRUCK



1



HYD-SP520
**4" Square
 20 Degree
 Driving Beam**
 2x Front Facing (Lower Light Location)
 2x Front Facing (Upper Light Location)

2



HYD-SP540
**4" Square
 40 Degree
 Flood Beam**
 2x Front Facing (Lower Light Location)
 2x 45 Degree Out (Upper Light Location)
 2x 45 Degree Down and Back (Each Side)
 2x 45 Degree Out and Back (Rear)

Lift smarter, work safer