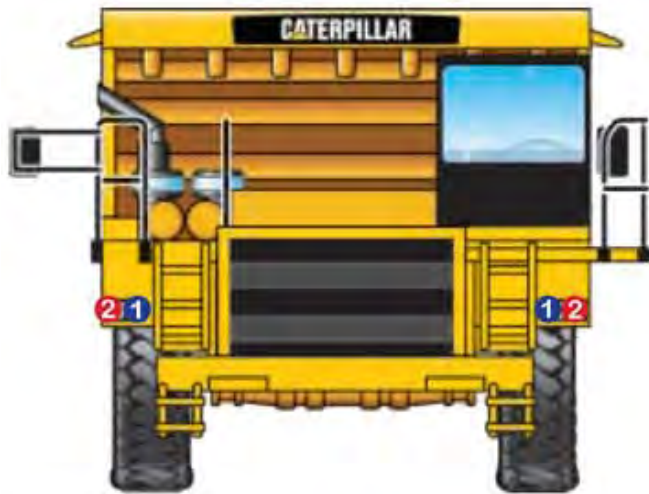


CATERPILLAR 773D HAUL TRUCK



1 HYD-SP520
4" Square Spot LED
Work Light

2x Front Facing (One each side of front bumper bar)

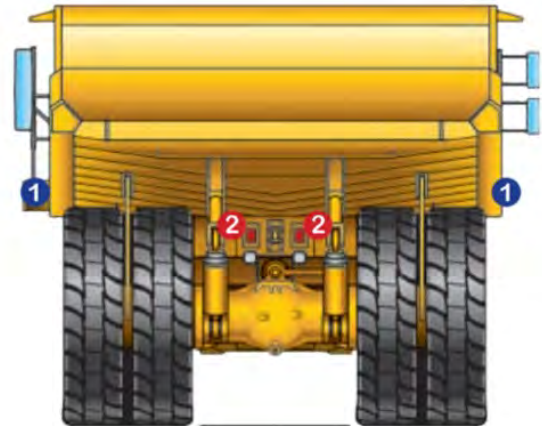
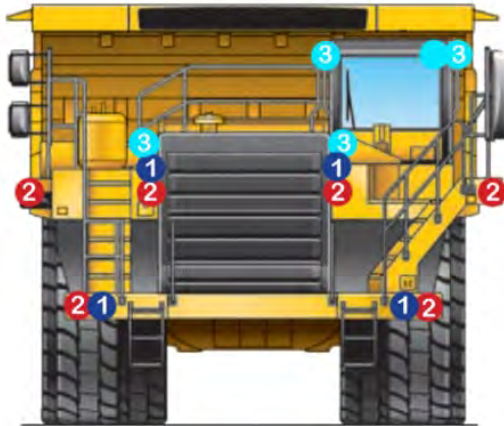


2 HYD-SP540
4" Square Flood LED
Work Light

2x Front Facing (One on each side of front bumper bar)
2x Lower Rear Facing (Facing diagonally under rear of bucket)

Lift smarter, work safer

CATERPILLAR 777F HAUL TRUCK



1 HYD-SP520
4" Square Spot LED
Work Light

- 2x Front Facing (One on each top side of radiator grill)
- 2x Front Facing (One each side of front bumper bar)
- 2x Rear/Side Facing (Either side of front access area)



2 HYD-SP540
4" Square Flood LED
Work Light

- 2x Front Facing (One on each top corner of radiator grill)
- 2x Front Facing (One on each side of front bumper bar)
- 2x Forward/Side Facing (Either side of access area)
- 2x Lower Rear Facing (Facing diagonally under rear of bucket)

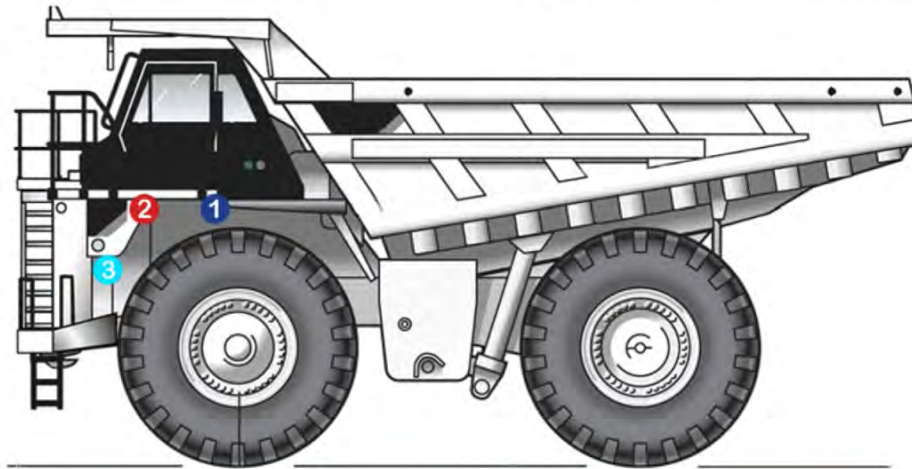
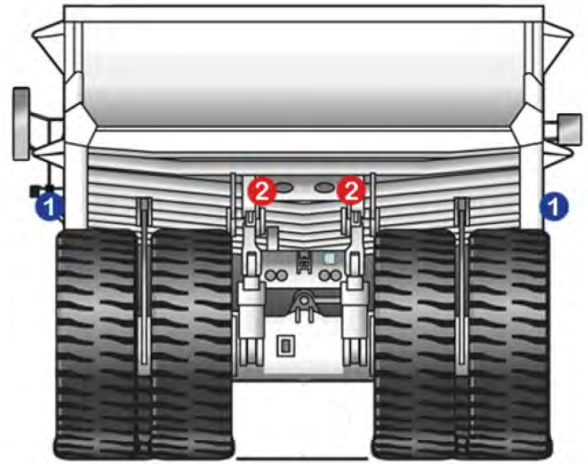
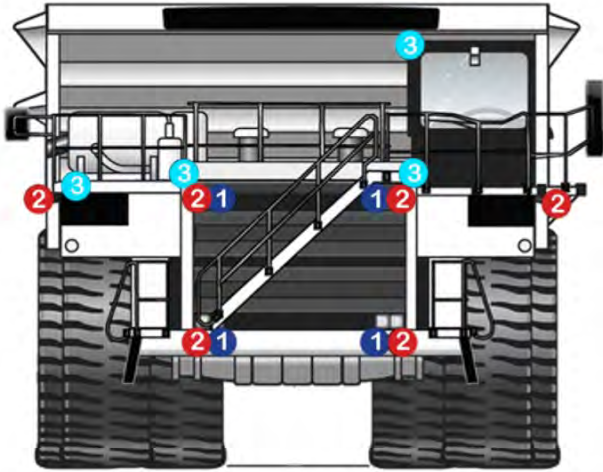


3 HYD-SP140
2" Round Flood LED
Pod

- 1x Rear Outer Corner of Operator's Cabin (Facing cabin door area)
- 1x Front Corner of Operator's Cabin (Facing down main stairway)
- 1x Inner Side of Operator's Cabin (Main access)
- 2x Engine Compartment Area (Behind radiator)
- 2x Top Corners of Radiator Grill (Facing down stairways)

Lift smarter, work safer

CATERPILLAR 785 HAUL TRUCK



1 HYD-SP520
4" Square Spot LED
Work Light

- 2x Front Facing (One on each top side of radiator grill)
- 2x Front Facing (One each side of front bumper bar)
- 2x Rear/Side Facing (Either side of front access area)



2 HYD-SP540
4" Square Flood LED
Work Light

- 2x Front Facing (One on each top corner of radiator grill)
- 2x Front Facing (One on each side of front bumper bar)
- 2x Forward/Side Facing (Either side of access area)
- 2x Lower Rear Facing (Facing diagonally under rear of bucket)

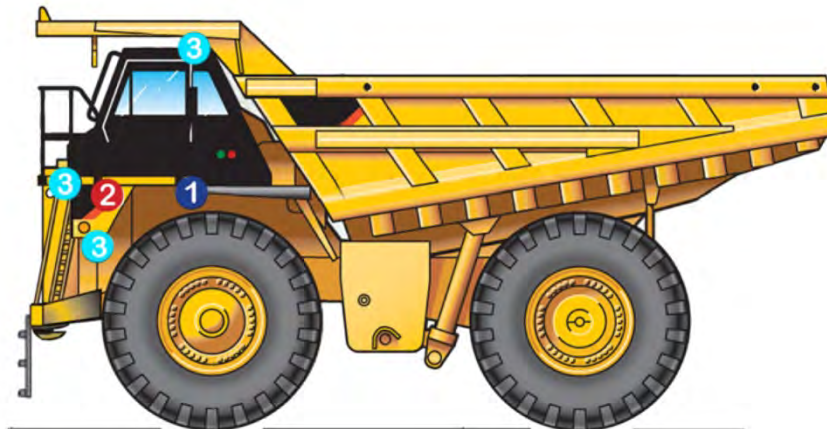
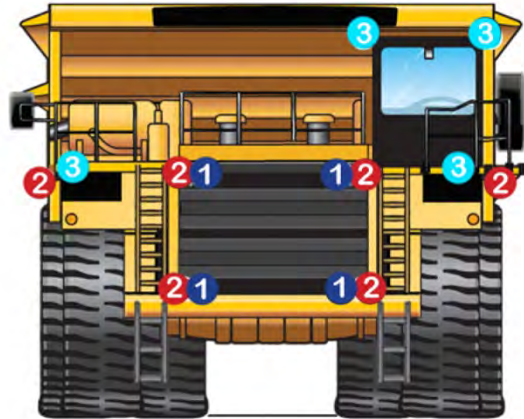
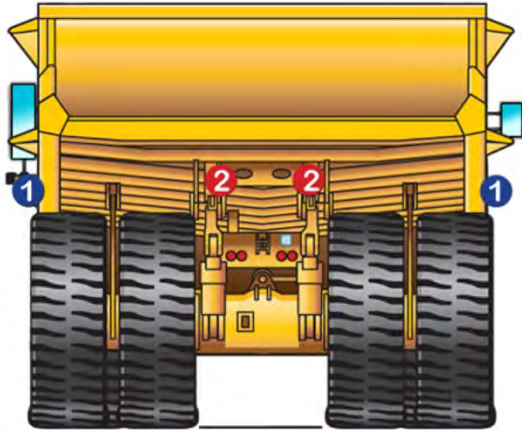


3 HYD-SP140
2" Round Flood LED
Pod

- 1x Top Side of Operator's Cabin (Facing access area)
- 2x Top Corners of Radiator Grill (Facing stairway/ladders)
- 1x Front Corner of Access Area (Facing front ladder)
- 2x Engine Compartment Area (Either side behind radiator)

Lift smarter, work safer

CATERPILLAR 789C HAUL TRUCK



1 HYD-SP520
4" Square Spot LED
Work Light

- 2x Front Facing (One on each top corner of radiator grill)
- 2x Front Facing (One each side of front bumper bar)
- 2x Rear/Side Facing (Either side of access area)



2 HYD-SP540
4" Square Flood LED
Work Light

- 2x Front Facing (One on each corner of radiator grill)
- 2x Front Facing (One on each side of front bumper bar)
- 2x Forward/Side Facing (Either side of access area)
- 2x Lower Rear Facing (Facing diagonally under rear of tray)

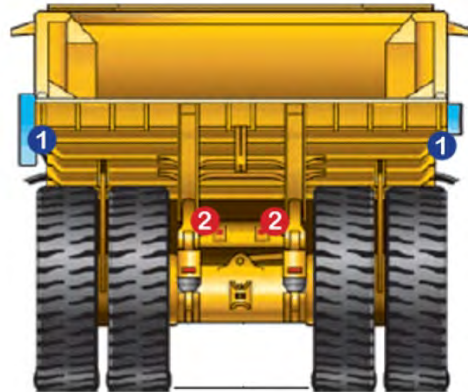
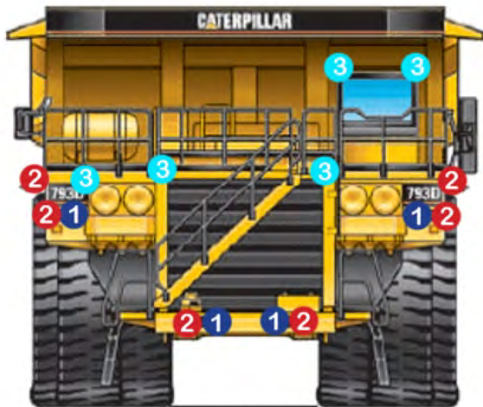


3 HYD-SP140
2" Round Flood LED
Pod

- 1x Inside Top of Operator's Cabin (Facing access area)
- 1x Top Rear Corner of Operator's Cabin (Facing cabin door)
- 2x Front Corners of Access Area (Either side facing front ladders)
- 2x Engine Compartment Area (Either side behind radiator)

Lift smarter, work safer

CATERPILLAR 793D HAUL TRUCK



1 HYD-SP520
4" Square Spot LED
Work Light

- 2x Front Facing (One on each top side of radiator grill)
- 2x Front Facing (One each side of front bumper bar)
- 2x Rear Facing/Reverse Light (One either side of access area)



2 HYD-SP540
4" Square Flood LED
Work Light

- 2x Front Facing (One on each corner of radiator grill)
- 2x Front Facing (One on each side of front bumper bar)
- 2x Forward/Side Facing (Either side of access area)
- 2x Lower Rear Facing (Facing diagonally under rear of tray)

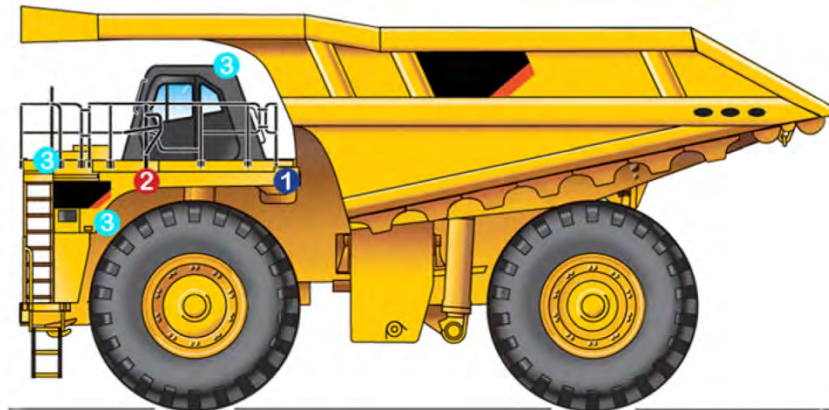
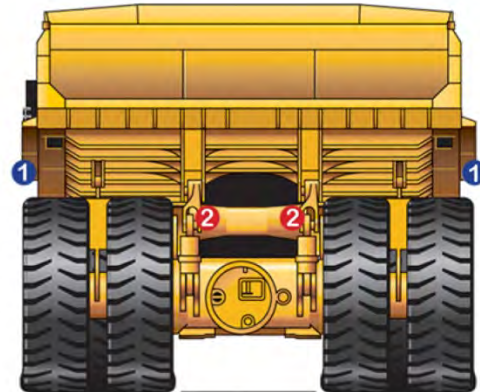


3 HYD-SP140
2" Round Flood LED
Pod

- 1x Rear Outer Corner of Operator's Cabin (Facing cabin door area)
- 2x Top Corners of Radiator Grill (Facing down side stairway/ladder)
- 1x Inner Side of Operator's Cabin (Facing access)
- 2x Engine Compartment Area (Behind radiator)
- 1x Front Corner of Operator's Cabin (Facing down main stairway)

Lift smarter, work safer

CATERPILLAR 797F HAUL TRUCK



1 HYD-SP520
4" Square Spot LED
Work Light

2x Front Facing (One on each top side of radiator grill)
2x Front Facing (One each side of front bumper bar)
2x Rear Facing/Reverse Light (One either side of access area)



2 HYD-SP540
4" Square Flood LED
Work Light

2x Front Facing (One on each corner of radiator grill)
2x Front Facing (One on each side of front bumper bar)
2x Forward/Side Facing (Either side of access area)
2x Lower Rear Facing (Facing diagonally under rear of tray)



3 HYD-SP140
2" Round Flood LED
Pod

1x Rear Outer Corner of Operator's Cabin (Facing cabin door area)
2x Top Corners of Radiator Grill (Facing down side stairway/ladder)
1x Inner Side of Operator's Cabin (Facing access)
2x Engine Compartment Area (Behind radiator)
1x Front Corner of Operator's Cabin (Facing down main stairway)

Lift smarter, work safer