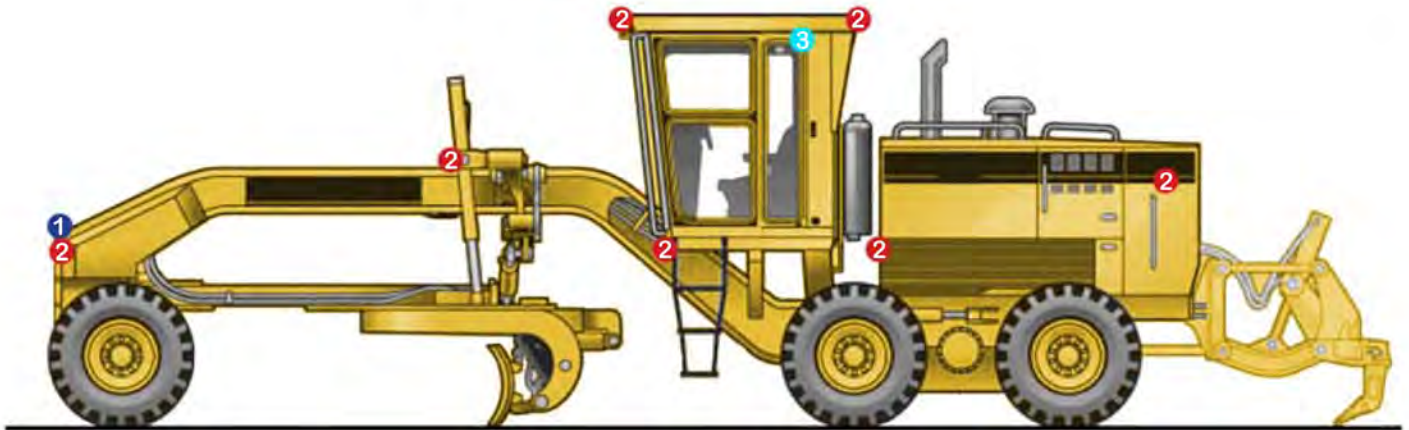
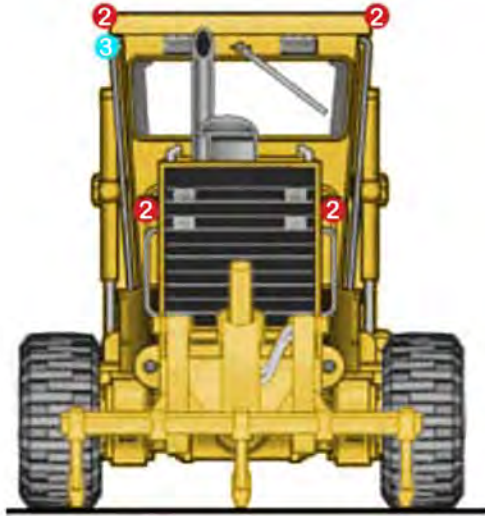


CAT 16G GRADER



1 HYD-SP520
4" Square Spot LED
Work Light

2x Front Facing (One on each side of chassis rail)



2 HYD-SP540
4" Square Flood LED
Work Light

2x Front Facing (One on each side of chassis rail)
2x Lower Forward/Side Facing (Either side in front of blade)
2x Lower Forward/Side Facing (Either side directed at blade)
2x Rear Facing (Either side facing ripper)
2x Top Forward Facing (Either side on front corner of cabin)
2x Lower Rear/Side Facing (Either side on lower engine compartment)

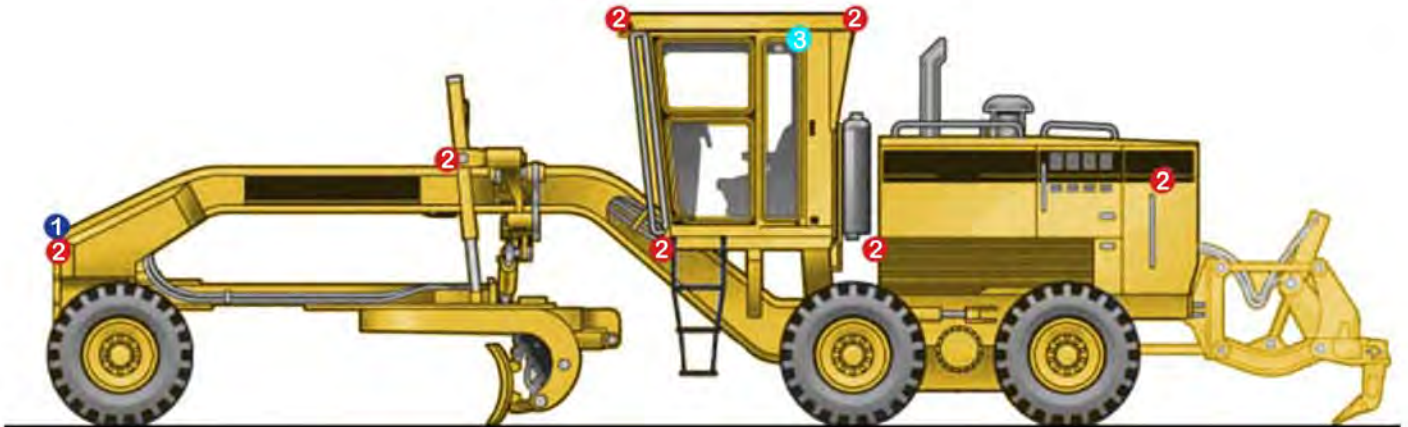
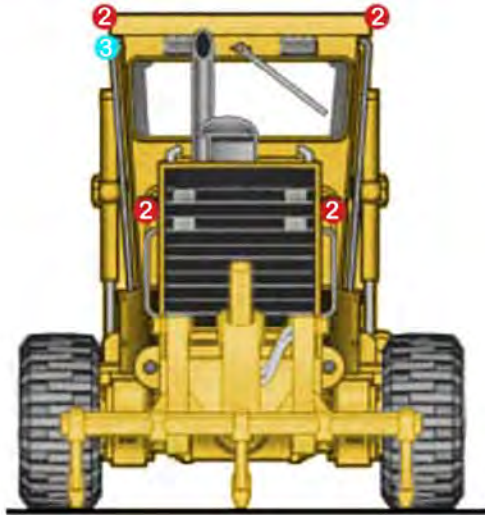


3 HYD-SP140
2" Round Flood LED
Pod

1x Left Hand Side Access Area (Top rear of cabin facing ladder)

Lift smarter, work safer

CAT 16H GRADER



1 HYD-SP520
4" Square Spot LED
Work Light

2x Front Facing (One on each side of chassis rail)



2 HYD-SP540
4" Square Flood LED
Work Light

2x Lower Forward/Side Facing (Either side in front of blade)
2x Top Forward Facing (Either side on front corner of cabin)
2x Lower Forward/Side Facing (Either side directed at blade)
2x Top Forward/ Side Facing (Either side on top rear of cabin)
2x Rear Facing (Either side facing ripper)
2x Front Facing (One on each side of chassis rail)
2x Lower Rear/Side Facing (Either side on engine compartment)



3 HYD-SP140
2" Round Flood LED
Pod

1x Left Hand Side Access Area (Top rear of cabin facing ladder)

Lift smarter, work safer

CAT 16M GRADER



1 HYD-SP520
4\" data-bbox="171 678 325 727"/>

2x Front Facing (One on each side of chassis rail)



2 HYD-SP540
4\" data-bbox="473 678 634 727"/>

2x Lower Forward/Side Facing (Either side in front of blade)
2x Top Forward Facing (Either side on front corner of cabin)
2x Lower Forward/Side Facing (Either side directed at blade)
2x Top Forward/ Side Facing (Either side on top rear of cabin)
2x Rear Facing (Either side facing ripper)
2x Front Facing (One on each side of chassis rail)
2x Lower Rear/Side Facing (Either side on engine compartment)

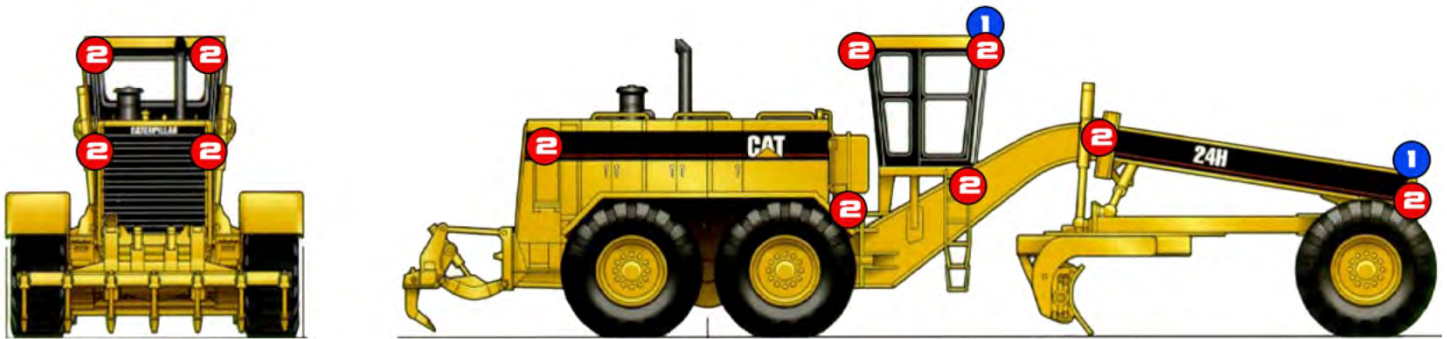


3 HYD-SP140
2\" data-bbox="750 678 915 726"/>

1x Left Hand Side Access Area (Top rear of cabin facing ladder)

Lift smarter, work safer

CAT 24H GRADER



1

HYD-RXP12e3065T
4" Square Driving
LED Work Light



2x Front Facing (One on each side of chassis rail)
 2x Front Facing (Inside Pair Overhead Cabin)

2

HYD-RXP1260T
4" Square Flood
LED Work Light



2x Lower Forward/Side Facing (Either side in front of blade)
 2x Top Forward Facing (Outside Pair Overhead Cabin)
 2x Lower Forward/Side Facing (Either side directed at blade)
 2x Top Forward/ Side Facing (Either side on top rear of cabin)
 2x Rear Facing (Either side facing ripper)
 2x Front Facing (One on each side of chassis rail)
 2x Lower Rear/Side Facing (Either side on engine compartment)

Lift smarter, work safer