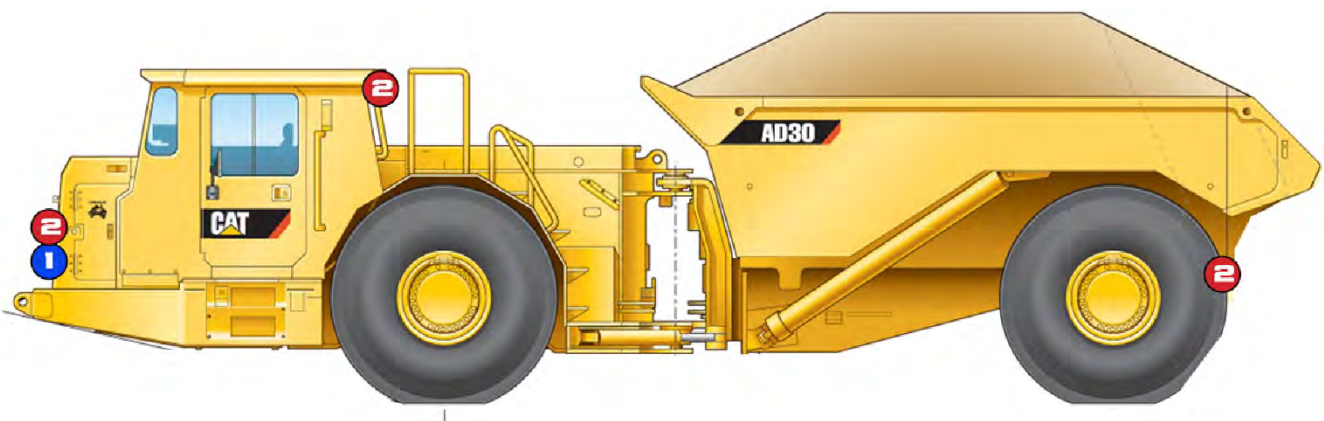


CAT AD30 ARTICULATED HAUL TRUCK



1 HYD-SP520
4" Square Spot LED
Work Light

2x Front Facing (One on each side of radiator)



2 HYD-SP540
4" Square Flood LED
Work Light

2 x Front Facing (One on each side of radiator)
2 x Rear Facing (Top Rear of Operator's cabin)
2 x Lower Rear Facing (Under rear of bucket)



3 HYD-SP140
2" Round Flood LED
Pod

1x Rear of Operator's Cabin
1x Outer Side of Operator's Cabin (Facing service hatches)
1x Engine Compartment Area (Inside service hatch)

Lift smarter, work safer

CAT AD45 ARTICULATED HAUL TRUCK



1 HYD-SP520
4" Square Spot LED
Work Light

2x Front Facing (One on each side of radiator)



2 HYD-SP540
4" Square Flood LED
Work Light

2x Front Facing (One on each side of radiator)
1x Side Facing (On side of operator's cabin)
2x Lower Rear Facing (Under rear of bucket)

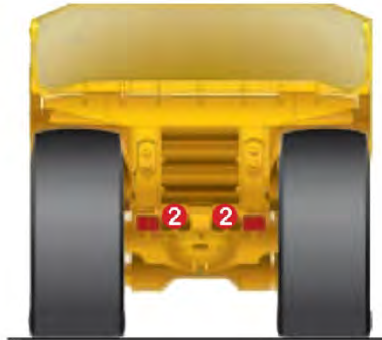


3 HYD-SP140
2" Round Flood LED
Pod

1x Rear of Operator's Cabin (Facing down stairway)
1x Rear Inner Corner of Operator's Cabin (Facing access area)
1x Outer Side of Operator's Cabin (Facing service hatches)
1x Engine Compartment Area (Inside service hatch)

Lift smarter, work safer

CAT AD55 ARTICULATED HAUL TRUCK



1 HYD-SP520
4\" data-bbox="171 684 327 732"/>

2x Front Facing (One on each side of radiator)



2 HYD-SP540
4\" data-bbox="473 684 637 732"/>

2x Front Facing (One on each side of radiator)

1x Side Facing (On side of operator's cabin)

2x Lower Rear Facing (Under rear of bucket)



3 HYD-SP140
2\" data-bbox="750 684 917 731"/>

1x Rear of Operator's Cabin (Facing down stairway)

1x Rear Inner Corner of Operator's Cabin (Facing access area)

1x Outer Side of Operator's Cabin (Facing service hatches)

1x Engine Compartment Area (Inside service hatch)

Lift smarter, work safer