

LOCOMOTIVE LED LIGHT

APPLICATIONS

Safety is second to none in the Locomotive Industry, and one of the easiest ways to dramatically improve the safety for both operators and personnel near tracks is a LED Lighting retrofit. The Locomotive Light from Hydra-Tech uses deep reflectors to produce a long-range beam pattern while exceeding FRA 200,000cd requirements and reducing power consumption. In fact with this new technology comes enhanced Safety and Performance features benefiting the Railroad and the environment.



PRODUCT FEATURES

- Meets all FRA Requirements
- Dual Function Headlight and Ditch Light
- High or Low Beam Output (resistor controlled)
- Reverse Polarity Operation
- IP68/69K Rated Dust and Waterproof
- Floating Ground design
- Warm 3000K Color Temperature
- 50,000 Hr. Lifespan
- Meets AAR S 5516 Latest Standard
- Operating Voltage 14-90V DC
- Drop in replacement PAR56 Design
- Limp Mode /Failure Detect Indicator System
- Flash Mode compatible
- Low power consumption
- - 40C to +85C Operating Temperature
- Only 45 Watt power consumption

LOCOMOTIVE LED LIGHT



Drop In Replacement

ORDERING INFORMATION:

Each Includes:

- (1) Locomotive LED Light With Deutsch Connector

ITEM #	PART #	DIMENSIONS	BEAM PATTERN	EFFECTIVE LUMENS	WATTS	AMP DRAW @ 32V
HYD-LOC110	9950426	6.96" x 6.98" x 3.85"	10° Long Range Spot	2,170lm	45W	1.5A

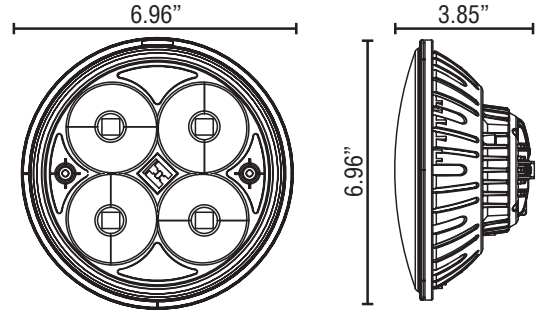
Making Work Safe!

LOCOMOTIVE LED LIGHT

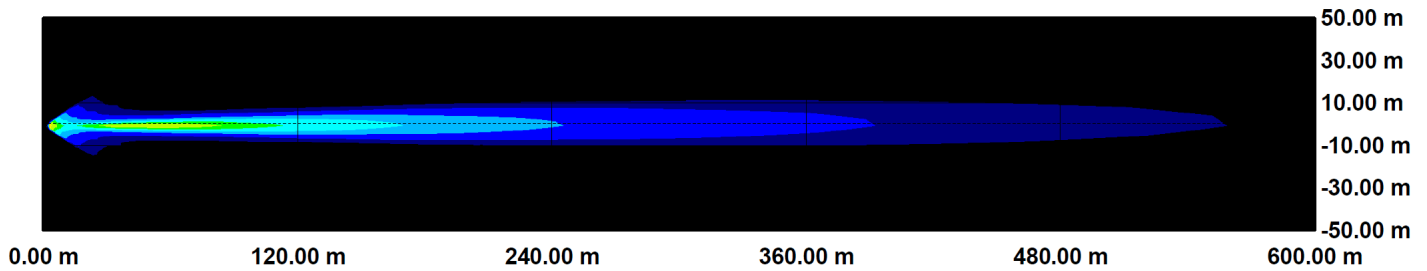
TECHNICAL SPECIFICATIONS

LED:	4x CREE LEDs
Beam Pattern:	10° LONG RANGE SPOT
Effective Lumens (lm):	2,170
Watts:	45W
Amp Draw @32V:	1.5A
Input Voltage:	14-75V DC
IP Rating:	IP68
Operating Temp:	-40 Celsius ~ +85 Celsius
LED Lifespan:	50,000 Hours
Dimensions:	6.96" x 6.98" x 3.85"

2D DRAWING



LOCOMOTIVE LIGHT BEAM PATTERN



ORDERING INFORMATION:

- Each Includes:
- (1) Locomotive LED Light With Deutsch Connector

ITEM #	PART #	DIMENSIONS	BEAM PATTERN	EFFECTIVE LUMENS	WATTS	AMP DRAW @ 32V
HYD-LOC110	9950426	6.96" x 6.98" x 3.85"	10° Long Range Spot	2,170lm	45W	1.5A

Making Work Safe!