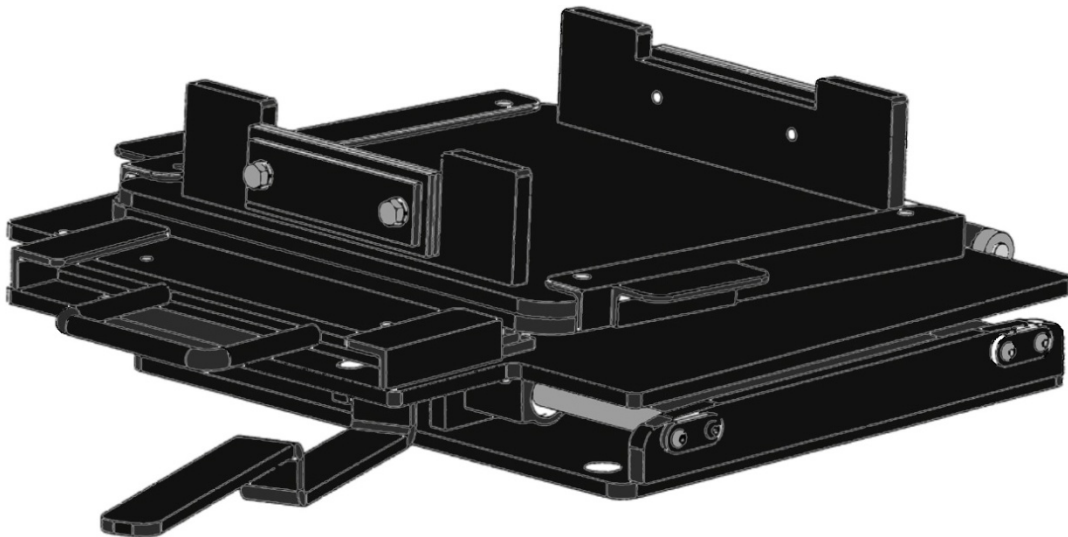
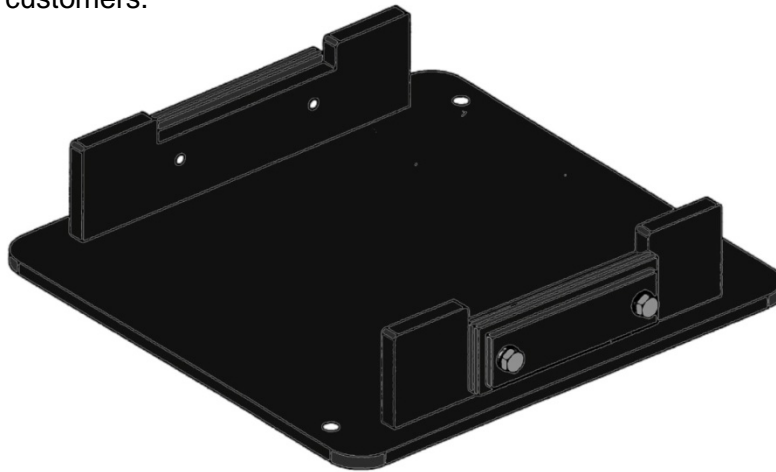


## Service Table Adapters

### Applications

Hydra-Tech's service table series are versatile tools which can be tailored to specific tasks through the use of adapters designed for quick, easy, and secure mounting. Popular accessories include the Draft Gear Cradle and a Traversing Tilt Table Adapter, but Hydra-Tech also designs and manufactures custom adapters to meet the specific needs of any customers.



**MAKING WORK SAFE!**